

MANUAL DISCONNECT SWITCH



SAFETY

Walther's Manual Disconnect Switch combines a horsepower rated switch in a tough, impervious NEMA 4X enclosure for safe motor load disconnect. The bright yellow and red padlock handle provides lockout protection, in the "OFF" position, to comply with OSHA Lockout/Tagout regulations. In addition, the enclosure cover cannot be removed from the body until the switch is turned to the "OFF" position.

The nonmetallic enclosure, while abuse and corrosion resistant, is also non conductive, which enhances the safety of the product. The device can be connected to metallic conduit without interfering with the ground continuity.

RELIABILITY

Walther horsepower rated switches are available with ratings from 20 to 150amps. Type NEMA 4X enclosures are designed for the most demanding environments and provide excellent protection against corrosion, dirt, dust splashing water and hose directed water spray. Walther Type 4X inclosures provide exceptional UV Stability, excellent insulating properties and are made of a material that is self-extinguishing. (Flame retarded UL94 V0)



The Buzzie™ Switch Guard. Protect your Walther switches from possible damage from lift trucks and other workplace mishaps. (shown with KEM325UL-Y/R). Consult customer service for more information.

NEC ARTICLE 430

Walther's Disconnect Switch is designed to meet National Electric Code, Article 430-102, requiring a disconnecting means, located within sight, from the motor location and the driven machinery location.

APPROVALS & COMPLIANCES

UL 508 Motor Disconnect



MANUAL DISCONNECT SWITCH

Enclosed Motor Disconnect Switch



Catalog Number

Black Handle	KEM325UL	KEM340UL	KEM360UL	KEM380UL
Yellow/ Red Handle	KEM325UL Y/R	KEM340UL Y/R	KEM360UL Y/R	KEM380UL Y/R
No. of Poles	3*	3*	3*	3*
General Purpose Current	25A	40A	60A	80A
Maximum Voltage	600V AC	600V AC	600V AC	600V AC
Motor FLA @ 480V AC	17.5A	28A	34A	—
Motor FLA @ 600V AC	11A	18A	27A	47A

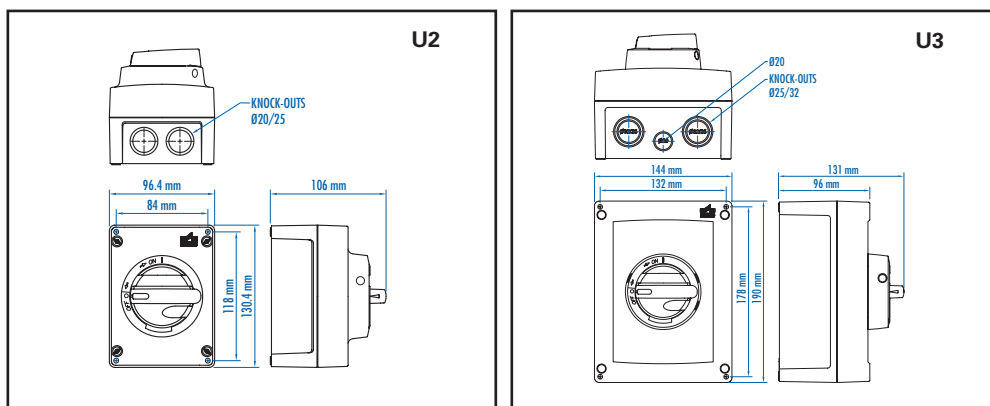
Horsepower Rating /HP	1 Phase		3 Phase		1 Phase		3 Phase		1 Phase		3 Phase	
	110-120V AC	1	2	2	3	3	5	5	5	3	7.5	7.5
200V AC	2	5	3	7.5	5	10	10	7.5	10	10	10	
208V AC	2	5	3	7.5	5	10	10	7.5	15	15	15	
220-240V AC	3	7.5	5	10	5	10	10	7.5	15	15	15	
265V AC	3	7.5	5	10	5	10	10	10	20	20	20	
277V AC	3	7.5	5	10	7.5	10	10	10	20	20	20	
380-415V AC	5	10	7.5	15	10	20	20	15	25	25	25	
440-480V AC	7.5	15	10	20	15	25	25	20	30	30	30	
550-600V AC	5	10	7.5	15	15	25	25	25	40	40	40	

Short Circuit Withstand Rating at 600 V with Max. Fuse Size/Class:	10kA		10kA		10kA		10kA	
	K5	50A	50A	50A	50A	60A	60A	150A
RK5	50A	50A	50A	50A	60A (80A@480V AC)	60A	150A	150A
RK1	80A	80A	80A	80A	100A	100A	—	—
J	80A	80A	80A	80A	100A	100A	200A	200A

Terminal Size Acceptability (Cu Conductors only, 75°C)	14-8AWG	14-8AWG	12-4AWG	4-1/0AWG
Terminal Torque	16 lb. in.	16 lb. in.	16 lb. in.	50 lb. in.
Environmental Rating	NEMA Type 4X	NEMA Type 4X	NEMA Type 4X	NEMA Type 4X
Enclosure Type Used	U2	U3	U3	U3

Dimensions

(to convert to inches multiply by 0.03937)



Weight	0.49kg (1 lb.-1.3 oz.)	0.72kg (1 lb.-9.6 oz.)	0.773kg (1 lb.-11.2 oz.)	1.021kg (2 lb.-4.0 oz.)
--------	------------------------	------------------------	--------------------------	-------------------------

Suitable Accessories

Auxiliary Contacts	KU1.V, KU2.V	KU1.V, KU2.V	KU1.V, KU2.V	VKA1.V, VKA2.V
--------------------	--------------	--------------	--------------	----------------

*Also available in 4 pole models.

MANUAL DISCONNECT SWITCH

Enclosed Motor Disconnect Switch



KEM3100L
KEM3100L Y/R

3*
100A
600V AC
—
54A

1 Phase	3 Phase
3	7.5
7.5	15
7.5	15
10	20
10	20
10	20
15	30
20	40
30	50

10kA
150A
150A
—
200A

4-1/0AWG

50 lb. in.
NEMA Type 4X
MF10



KEM3125L
KEM3125L Y/R

3*
125A
600V AC
—
68A

1 Phase	3 Phase
5	10
10	20
10	20
15	25
15	25
15	30
20	40
30	50
30	60

10kA
150A
150A
—
200A

4-1/0AWG

50 lb. in.
NEMA Type 4X
MF10



KEM3150L
KEM3150L Y/R

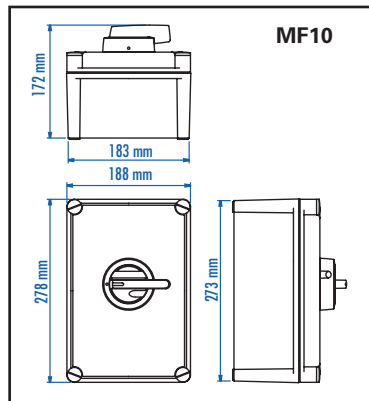
3*
150A
600V AC
—
83A

1 Phase	3 Phase
7.5	10
10	25
10	25
15	30
15	30
20	30
25	50
30	60
40	75

10kA
150A
150A
—
200A

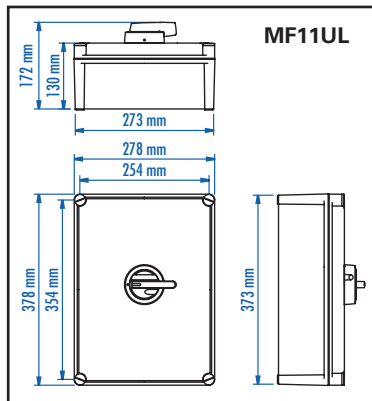
4-1/0AWG

50 lb. in.
NEMA Type 4X
MF11UL



1.9051kg (4 lb. 3.2 oz.)

VKA1.V, VKA2.V



1.9051kg (4 lb. 3.2 oz.)

VKA1.V, VKA2.V

2.8351kg (6 lb. 4.0 oz.)

VKA1.V, VKA2.V

FUSED



KKVM332, KKVM332CC
KKVM332 Y/R, KKVM332CC Y/R

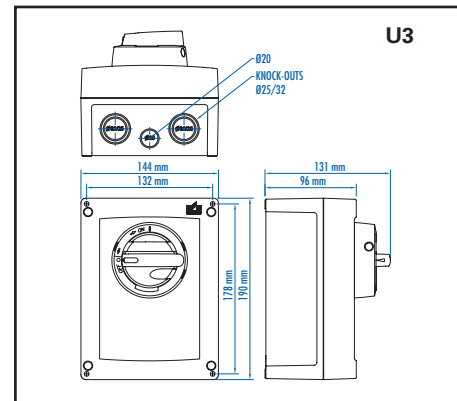
3
30A
600V AC

Cat. No.	Fuse Type
KKVM 332 (Y/R)	10x38, Midget
KKVM 332CC (Y/R)	Class CC

100kA

14-8AWG

16 lb. in.
NEMA Type 4X
U3



0.998kg (2 lb.-3.2oz.)

KU1.V, KU2.V

MANUAL DISCONNECT SWITCH

Extended/Direct Handle Motor Disconnect Switch



The KUVKA...N series can be used with extended and direct handles (see page 8-9 for details).



Catalog Number	KU325N	KU340N	KU363N
No. of Poles	3 (4 pole - KU425N)	3 (4 pole - KU440N)	3 (4 pole - KU463N)
General Purpose Current	25A	40A	60A
Maximum Voltage	600V AC	600V AC	600V AC
Motor FLA @ 480V AC	17.5A	28A	34A
Motor FLA @ 600V AC	11A	18A	27A

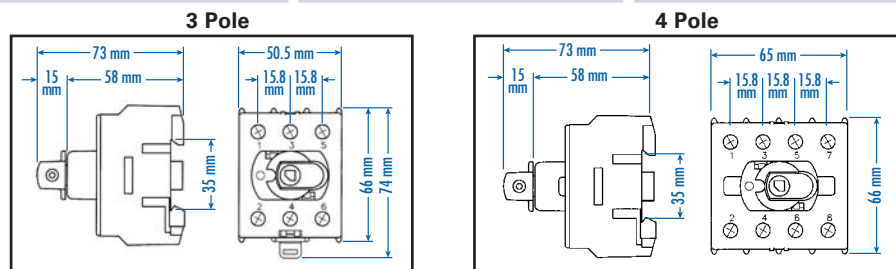
Horsepower Rating /HP	3 Pole		4 Pole		5 Pole	
	1 Phase	3 Phase	1 Phase	3 Phase	1 Phase	3 Phase
110-120V AC	1	2	2	3	3	5
200V AC	2	5	3	7.5	5	10
208V AC	2	5	3	7.5	5	10
220-240V AC	3	7.5	5	10	5	10
265V AC	3	7.5	5	10	5	10
277V AC	3	7.5	5	10	7.5	10
380-415V AC	5	10	7.5	15	10	20
440-480V AC	7.5	15	10	20	15	25
550-600V AC	5	10	7.5	15	15	25

Short Circuit Withstand Rating at 600 V with Max. Fuse Size/Class:	10kA	10kA	10kA
K5	50A	50A	60A
RK5	50A	50A	60A (80A@480V AC)
RK1	80A	80A	100A
J	80A	80A	100A

Terminal Size Acceptability (Cu Conductors only, 75°C)	14-8AWG	14-8AWG	12-4AWG
Terminal Torque	16 lb. in.	16 lb. in.	16 lb. in.

Dimensions

(to convert to inches multiply by 0.03937)



Weight	0.172Kg (0.379lb.) (3 pole) 0.215Kg (0.474lb.) (4 pole)	0.172Kg (0.379lb.) (3 pole) 0.215Kg (0.474lb.) (4 pole)	0.172Kg (0.379lb.) (3 pole) 0.215Kg (0.474lb.) (4 pole)
--------	--	--	--

Suitable Accessories

Extended Handle Version/ Door Interlock Mechanism

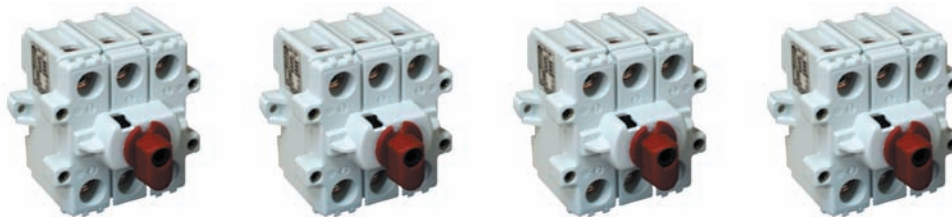
Shaft	L1(2,3)00AD11-ST	L1(2,3)00AD11-ST	L1(2,3)00AD11-ST
Handles	LK10 (Y/R) UL, LK11 (Y/R) U	LK10 (Y/R) UL, LK11 (Y/R) U	LK10 (Y/R) UL, LK11 (Y/R) U
Auxiliary Switch	KU1.V, KU2.V	KU1.V, KU2.V	KU1.V, KU2.V
Fuse Holder	-	KV 10x38, KV 10x38 CC	-

Direct Handle Version

Handle for 3 Pole	K/KU3P (Y/R)	K/KU3P (Y/R)	K/KU3P (Y/R)
Handle for 4 Pole	K/KU4P (Y/R)	K/KU4P (Y/R)	K/KU4P (Y/R)
Door Mounting Kits	OKA0.V (Y/R), OKA/KU LK10 (Y/R)	OKA0.V (Y/R), OKA/KU LK10 (Y/R)	OKA0.V (Y/R), OKA/KU LK10 (Y/R)

MANUAL DISCONNECT SWITCH

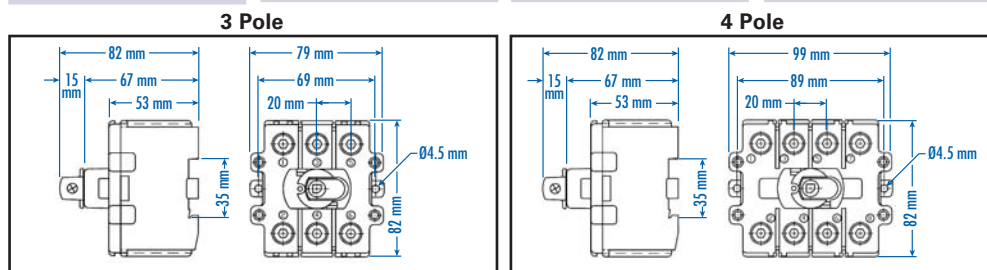
Extended/Direct Handle Motor Disconnect Switch  



Catalog Number	VKA380N	VKA3100N	VKA3125N	VKA3160N
No. of Poles	3 (4 pole - VKA480N)	3 (4 pole - VKA4100N)	3 (4 pole - VKA4125N)	3 (4 pole - VKA4160N)
General Purpose Current	80A	100A	125A	150A
Maximum Voltage	600V AC	600V AC	600V AC	600V AC
Motor FLA @ 480V AC	—	—	—	—
Motor FLA @ 600V AC	47A	54A	68A	83A
Horsepower Rating /HP	1 Phase 3 Phase	1 Phase 3 Phase	1 Phase 3 Phase	1 Phase 3 Phase
110-120V AC	3 7.5	3 7.5	5 10	7.5 10
200V AC	7.5 10	7.5 15	10 20	10 25
208V AC	7.5 15	7.5 15	10 20	10 25
220-240V AC	7.5 15	10 20	15 25	15 30
265V AC	10 20	10 20	15 25	20 30
277V AC	10 20	10 20	15 30	20 30
380-415V AC	15 25	15 30	20 40	25 50
440-480V AC	20 30	20 40	25 50	30 60
550-600V AC	25 40	30 50	30 60	40 75
Short Circuit Withstand Rating at 600 V with Max. Fuse Size/Class:				
	10kA	10kA	10kA	10kA
K5	150A	150A	150A	150A
RK5	150A	150A	150A	150A
RK1	—	—	—	—
J	200A	200A	200A	200A
Terminal Size Acceptability (Cu Conductors only, 75°C)	4-1/0AWG	4-1/0AWG	4-1/0AWG	4-1/0AWG
Terminal Torque	50 lb. in.	50 lb. in.	50 lb. in.	50 lb. in.

Dimensions

(to convert to inches multiply by 0.03937)



Weight	0.480Kg (1.058lb.) (3pole) 0.620Kg (1.367lb.) (4pole)	0.480Kg (1.058lb.) (3pole) 0.620Kg (1.367lb.) (4pole)	0.480Kg (1.058lb.) (3pole) 0.620Kg (1.367lb.) (4pole)	0.480Kg (1.058lb.) (3pole) 0.620Kg (1.367lb.) (4pole)
---------------	--	--	--	--

Suitable Accessories

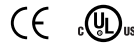
Extended Handle Version/ Door Interlock Mechanism

Shaft	L1(2.3)00AD11-ST	L1(2.3)00AD11-ST	L1(2.3)00AD11-ST	L1(2.3)00AD11-ST
Handles	LK10 (Y/R) UL, LK11 (Y/R) U	LK10 (Y/R) UL, LK11 (Y/R) U	LK10 (Y/R) UL, LK11 (Y/R) U	LK10 (Y/R) UL, LK11 (Y/R) U
Auxiliary Switch	VKA1.V, VKA2.V	VKA1.V, VKA2.V	VKA1.V, VKA2.V	VKA1.V, VKA2.V
Fuse Holder	—	—	—	—

Direct Handle Version

Handle for 3 & 4 Pole	K/VKA3-4P (Y/R)	K/VKA3-4P (Y/R)	K/VKA3-4P (Y/R)	K/VKA3-4P (Y/R)
Door Mounting Kit	OKAV LK11 (Y/R)	OKAV LK11 (Y/R)	OKAV LK11 (Y/R)	OKAV LK11 (Y/R)

MANUAL DISCONNECT SWITCH



Extended Handle Accessories

DOOR INTERLOCK HANDLES

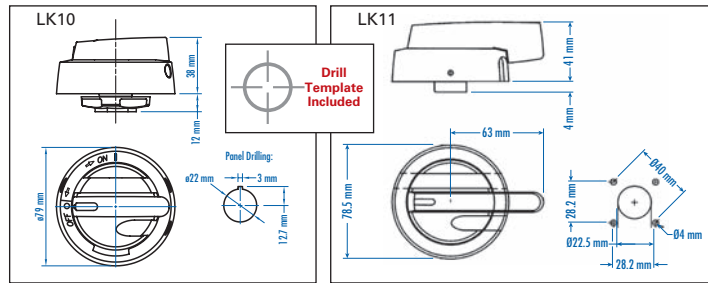
LK10 (Y/R) UL:

- Single hole mounting (22.5mm)
- Defeatable (built-in mechanism)



LK11 (Y/R) U:

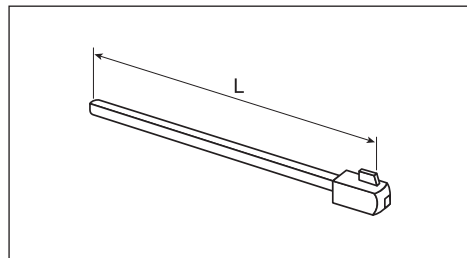
- Retention mechanism (only rotates 90° from off to on, keeps handle in off position while cabinet door is open)
- Defeatable (looses NEMA rating)



Cat. No.	LK10 UL	LK10 Y/R UL	LK11 U	LK11 Y/R U
Environmental Rating	NEMA Type 4X, IP66	NEMA Type 4X, IP66	NEMA Type 4X, IP67	NEMA Type 4X, IP67
Color	Black	Yellow/Red	Black	Yellow/Red

DOOR INTERLOCK SHAFT

The steel shaft ensures reliable operation even in the toughest conditions.



Cat. No.	L100AD11-ST	L200AD11-ST	L300AD11-ST
Length (L)	100mm	200mm	300mm
Material	Steel	Steel	Steel

AUXILIARY SWITCHES

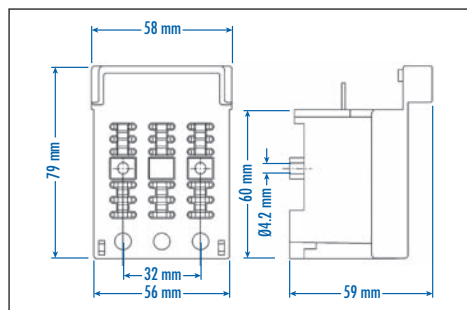
The auxiliary switches are the snap-on type and can be retrofitted.



Cat. No.	KU1.V	KU2.V	VKA1.V	VKA2.V
Electrical Rating	10A/1/2HP/125-250V AC	10A/1/2HP/125-250V AC	10A/1/2HP/125-250V AC	10A/1/2HP/125-250V AC
No. of contacts	1n.o./1n.c.	2n.o./2n.c.	1n.o./1n.c.	2n.o./2n.c.
For Use With	KU models	KU models	VKA models	VKA models

FUSE HOLDER

This fuseholder can be retrofitted with the KU340N. Therefore design changes can be incorporated with ease to allow a fusible disconnect.



Cat. No.	KV 10x38	KV 10x38 CC
Electrical Rating	30A/600V AC	30A/600V AC
Fuse Type	10x38, Midget	Class CC
For Use With	KU340N	KU340N

Dimensions (to convert to inches multiply by 0.03937)

MANUAL DISCONNECT SWITCH

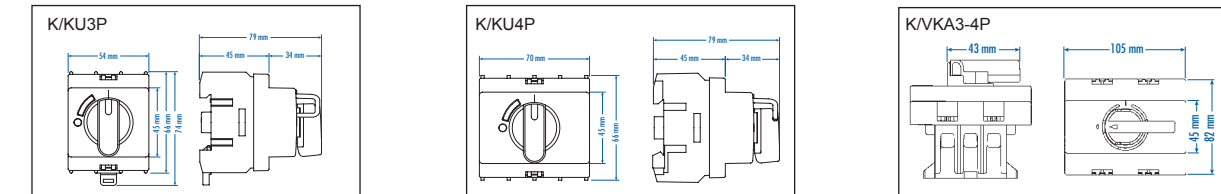
Direct Handle Accessories

DIRECT HANDLES

Improved design with metal shaft. Use for all your "inside the panel" applications.



Cat. No.	K/KU3P	K/KU3P Y/R	K/KU4P	K/KU4P Y/R	K/VKA3-4P	K/VKA3-4P Y/R
Color	Black	Yellow/Red	Black	Yellow/Red	Black	Yellow/Red
For use with	KU models (3P)	KU models (3P)	KU models (4P)	KU models (4P)	VKA models (3/4P)	VKA models (3/4P)

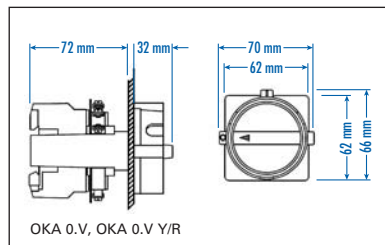


DOOR MOUNTING KITS

Designed for fast and easy assembly.



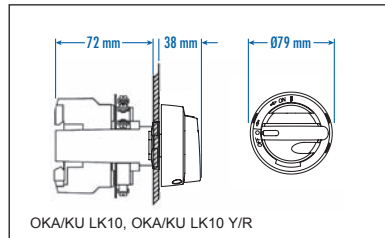
Shown with switch and display plate. (sold separately)



Cat. No.	OKA 0.V	OKA 0.V Y/R
Environmental Rating	IP65	IP65
Color	Black	Yellow/Red
For use with	KU models (3P)	KU models (3P)



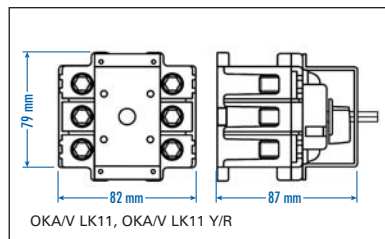
Shown with switch and display plate. (sold separately)



Cat. No.	OKA/KU LK10	OKA/KU LK10 Y/R
Environmental Rating	NEMA Type 4X, IP66	NEMA Type 4X, IP66
Color	Black	Yellow/Red
For use with	KU models (3P)	KU models (3P)



Shown with switch. (sold separately)



Cat. No.	OKA/V LK11	OKA/V LK11 Y/R
Environmental Rating	NEMA Type 4X, IP67	NEMA Type 4X, IP67
Color	Black	Yellow/Red
For use with	VKA models (3P)	VKA models (3P)

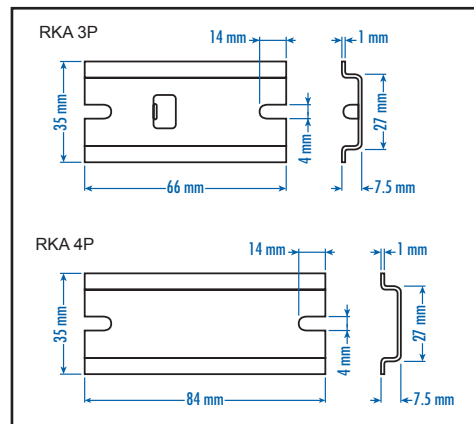
MOUNTING ALTERNATIVES

- ALUMINUM DIN RAIL

Panel mount option for small Disconnect Switches.



Cat. No.	RKA 3P	RKA 4P
For Use With	KU325/40/63N	KU425/40/63N



NOTE:

In the rare case that your mounting hardware (screws) for DIN Rail interfere with the enforcement studs in the back of the Motor Disconnect Switch please use smaller (M3 or equivalent) flathead screws or change your DIN Rail to the 15mm high version.

Dimensions (to convert to inches multiply by 0.03937)

Stainless Steel Enclosed Motor Disconnect Switch



The enclosures are designed for use where chemical solutions are used for wash-down maintenance as in food processing and breweries. They are also suitable for use in salt air and spray environments both shore-side and shipboard. The Stainless Steel construction of the enclosure is extremely resistant to corrosion and is IP66 rated.



Catalog Number

Black Handle

Yellow/ Red Handle

No. of Poles
General Purpose Current
Maximum Voltage
Motor FLA @ 480V AC
Motor FLA @ 600V AC

KER325UL
KER325UL Y/R

3*
25A
600V AC
17.5A
11A

KER340UL
KER340UL Y/R

3*
40A
600V AC
28A
18A

Horsepower Rating /HP

110-120V AC
200V AC
208V AC
220-240V AC
265V AC
277V AC
380-415V AC
440-480V AC
550-600V AC

1 Phase	3 Phase
1	2
2	5
2	5
3	7.5
3	7.5
3	7.5
5	10
7.5	15
5	10

1 Phase	3 Phase
2	3
3	7.5
3	7.5
5	10
5	10
5	10
7.5	15
10	20
7.5	15

Short Circuit Withstand Rating at 600 V with Max. Fuse Size/Class:

K5
RK5
RK1
J

10kA
50A
50A
80A
80A

10kA
50A
50A
80A
80A

Terminal Size Acceptability

(Cu Conductors only, 75°C)

Terminal Torque
Environmental Rating
Enclosure Type Used

14-8AWG

14-8AWG

16 lb. in.

NEMA Type 4X

H23

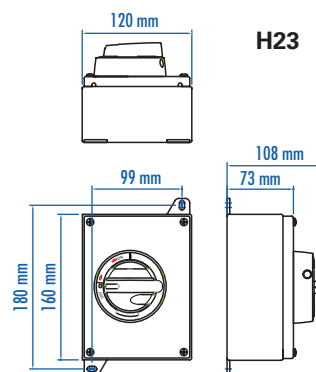
16 lb. in.

NEMA Type 4X

H23

Dimensions

(to convert to inches multiply by 0.03937)



Weight

1.35kg (2.98 lb.)

1.35kg (2.98 lb.)

Suitable Accessories

Auxiliary Contacts

KU1.V, KU2.V

KU1.V, KU2.V

*Also available in 4 pole models.

MANUAL DISCONNECT SWITCH

Stainless Steel Enclosed Motor Disconnect Switch



KER360UL
KER360UL Y/R

KER380UL
KER380UL Y/R

KER3100UL
KER3100UL Y/R

KER3125UL
KER3125UL Y/R

3*
60A
600V AC
34A
27A

3*
80A
600V AC
—
47A

3*
100A
600V AC
—
54A

3*
125A
600V AC
—
68A

1 Phase	3 Phase
3	5
5	10
5	10
5	10
5	10
7.5	10
10	20
15	25
15	25

1 Phase	3 Phase
3	7.5
7.5	10
7.5	15
7.5	15
10	20
10	20
15	25
20	30
25	40

1 Phase	3 Phase
3	7.5
7.5	15
7.5	15
10	20
10	20
10	20
15	30
20	40
30	50

1 Phase	3 Phase
5	10
10	20
10	20
15	25
15	25
15	30
20	40
30	50
30	60

10kA
60A
60A (80A@480V AC)
100A
100A

10kA
150A
150A
—
200A

10kA
150A
150A
—
200A

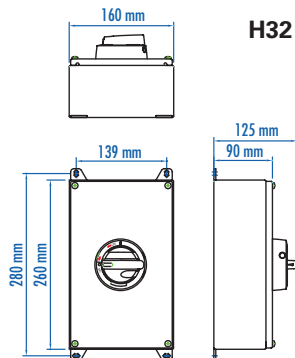
10kA
150A
150A
—
200A

12-4AWG
16 lb. in.
NEMA Type 4X
H32

4-1/0AWG
50 lb. in.
NEMA Type 4X
H32

4-1/0AWG
50 lb. in.
NEMA Type 4X
H32

4-1/0AWG
50 lb. in.
NEMA Type 4X
H32



2.66kg (5.87 lb.)

2.66kg (5.87 lb.)

2.66kg (5.87 lb.)

2.66kg (5.87 lb.)

KU1.V, KU2.V

VKA1.V, VKA2.V

VKA1.V, VKA2.V

VKA1.V, VKA2.V